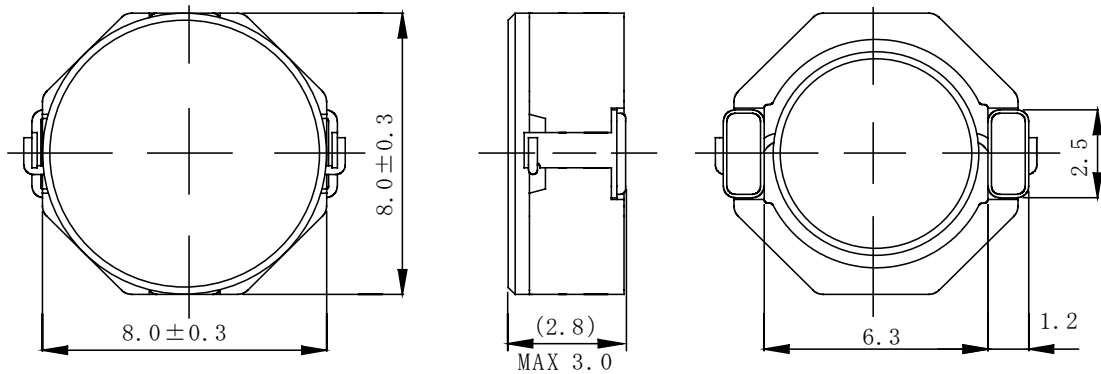
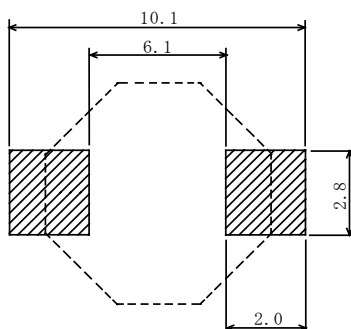


**Type: CDRH8D28, CDRH8D28/HP**
**◆ Product Description**

- 8.3×8.3mm Max. (L×W) , 3.0 mm Max. Height.
- Both Standard Type CDRH8D28 and High Power Type CDRH8D28/HP are available.
- Inductance Range: 1.0~100  $\mu$  H(CDRH8D28) ; 3.3~68  $\mu$  H(CDRH8D28/HP)
- Rated current range: 0.75~6.5A(CDRH8D28) ; 0.8~3.8A(CDRH8D28/HP).
- In addition to the standards versions shown here, custom inductors are also available to meet your exact requirements.


**◆ Feature**

- Magnetically shielded construction.
- Ideally used in Notebook PC, Game machine, HDD, DVC, LCD TV etc as DC-DC Converter inductors.
- RoHS Compliance.

**◆ Dimensions (mm)**

**◆ Land Pattern (mm)**


**Type: CDRH8D28, CDRH8D28/HP**
**◆ Specification (CDRH8D28)**

Part Name ※	Stamp	Inductance 100kHz/1V	D.C.R.(mΩ) Max.(Typ.) (20°C)	Saturation Current (A) ※1	Temperature Rise current (A) ※2
CDRH8D28NP-1R0N□	1R0	1.0μH ± 30%	11.0(8)	6.50	7.0
CDRH8D28NP-2R5N□	2R5	2.5μH ± 30%	15.6(12)	4.50	6.40
CDRH8D28NP-3R3N□	3R3	3.3μH ± 30%	18.2(14)	4.00	6.00
CDRH8D28NP-4R7N□	4R7	4.7μH ± 30%	24.7(19)	3.40	4.50
CDRH8D28NP-7R3N□	7R3	7.3μH ± 30%	39.0(30)	2.80	3.40
CDRH8D28NP-100N□	100	10μH ± 30%	47.0(36)	2.50	3.20
CDRH8D28NP-150N□	150	15μH ± 30%	69.0(53)	1.90	2.35
CDRH8D28NP-220N□	220	22μH ± 30%	99.0(76)	1.60	1.85
CDRH8D28NP-330N□	330	33μH ± 30%	156(120)	1.30	1.45
CDRH8D28NP-470N□	470	47μH ± 30%	195(150)	1.15	1.30
CDRH8D28NP-680N□	680	68μH ± 30%	286(220)	0.92	0.98
CDRH8D28NP-101N□	101	100μH ± 30%	430(330)	0.75	0.80

**◆ Specification (CDRH8D28/HP)**

Part Name ※	Stamp	Inductance 100kHz/1V	D.C.R.(mΩ) Max.(Typ.) (20°C)	Saturation Current (A) ※1		Temperature rise current (A)※2
				(20°C)	(100°C)	
CDRH8D28HPNP-3R3N□	3R3H	3.3μH±30%	35(27)	6.50	4.60	3.80
CDRH8D28HPNP-4R7N□	4R7H	4.7μH±30%	40(31)	4.50	3.60	3.60
CDRH8D28HPNP-7R3N□	7R3H	7.3μH±30%	66(51)	4.00	3.10	2.40
CDRH8D28HPNP-100N□	100H	10μH±30%	78(60)	3.40	2.50	2.10
CDRH8D28HPNP-150N□	150H	15μH±30%	125(96)	2.80	2.30	1.70
CDRH8D28HPNP-220N□	220H	22μH±30%	182(140)	2.50	1.90	1.35
CDRH8D28HPNP-330N□	330H	33μH±30%	286(220)	1.90	1.60	1.10
CDRH8D28HPNP-470N□	470H	47μH±30%	345(265)	1.60	1.36	1.00
CDRH8D28HPNP-680N□	680H	68μH±30%	520(400)	1.30	1.10	0.80

**※ Description of part name**

CDRH8D28HPNP-3R3N□

	B Box
	C Carrier Tape

※1. Saturation current: The DC current at which the inductance decreases to 65% of its nominal value.

※2. Temperature rise current: The DC current at which the temperature rise is Δt=40°C.(Ta=20°C).